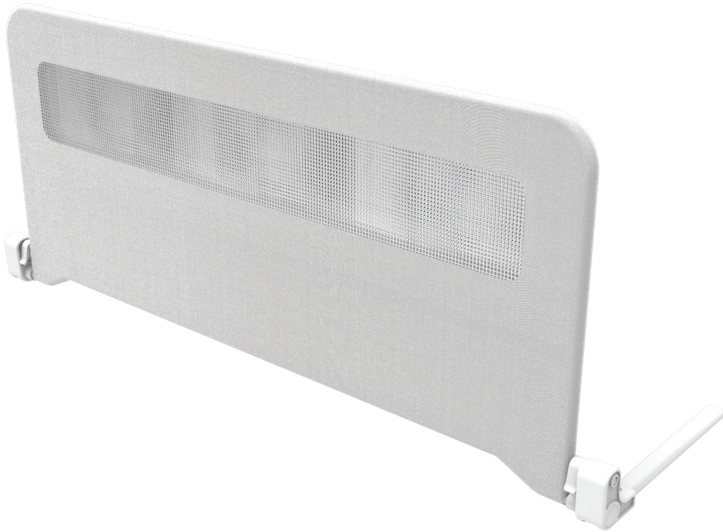


anko



Folding Bed Rail



**IMPORTANT! KEEP FOR FUTURE
REFERENCE - READ CAREFULLY.**

SAFETY INFORMATION

READ THIS INSTRUCTION MANUAL CAREFULLY AND KEEP IT IN A SAFE PLACE FOR FUTURE REFERENCE. THE CORRECT USE AND MAINTENANCE OF THIS PRODUCT IS ESSENTIAL.

WARNING

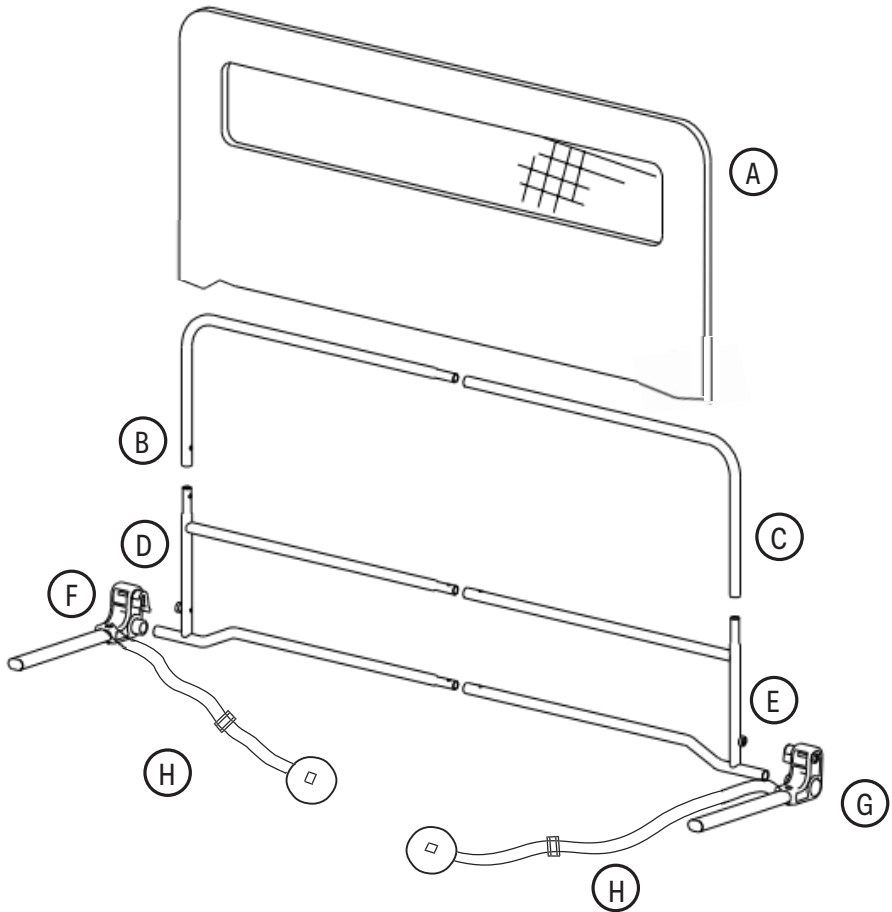
- › Adult assembly required.
- › Read all the instructions before assembly and use of the product.
- › Care should be taken in unpacking and assembly.
- › Dispose of all packaging materials carefully after assembly.
- › Not suitable for use of children under the age of 18 months or when the child is over the age of 5 years.
- › Only use the bed rail when the child is able to climb in and out of bed unaided.
- › The bed rail should not be used as a substitute for a cot, as it cannot provide the same level of safety as a cot.
- › The maximum thickness of mattress for which the bed rail is suitable is 270mm.
- › Fit the bed rail so that its side, when in the locked position or when placed in the fitted position, touches the side of the mattress.
- › This bed rail shall not be used unless the fittings are in place and securely attached to both the bed and/or the mattress and the bed rail.
- › Once fitted in place, the bed rail should be checked to ensure that it is properly fitted and secure.
- › The bed rail should be periodically checked for its general condition with particular reference to the security of any locking mechanism and/or hinges that are used on the product.
- › Additional and replacement parts shall be obtained only from the manufacturer.
- › This bed rail should not be used on a sleeping surface that is more than 600mm from the floor.
- › To prevent risk of strangulation it is essential to ensure that when the bedguard is fitted into position, there is a gap of at least 250mm (10 in), between each end of the bed and the corresponding end of the bedguard.

MAINTENANCE

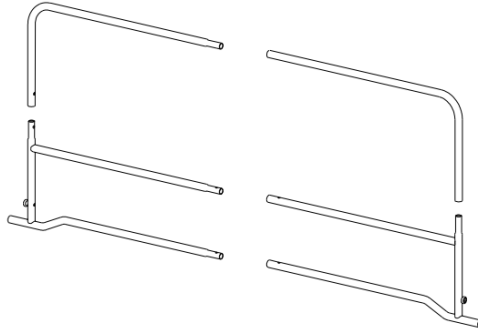
- › No part of bed rail requires lubrication.
- › Clean using warm soapy water, or a damp cloth.
- › Do not use abrasive cleaners or bleach.

PARTS LIST

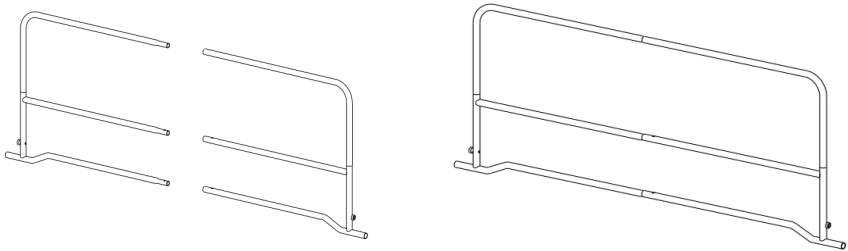
- A. Bed rail mesh wall
- B. Right upper support bar
- C. Left upper support bar
- D. Right bottom support bar
- E. Left bottom support bar
- F. Right under bar
- G. Left under bar
- H. Strap



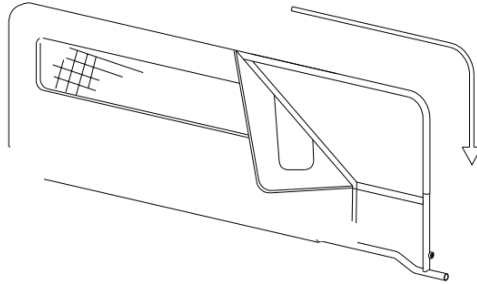
INSTALLATION



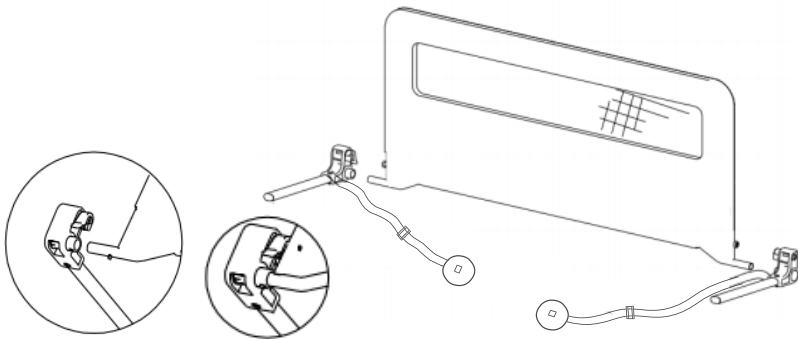
Step 1: Insert upper support bar (left and right) into bottom support bar (left and right). Make sure the spring pin fits securely into opposing hole so that the two pieces cannot pull apart.



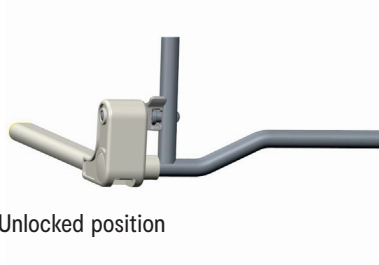
Step 2: With the left and right sides of the bed rail assembled, connect the two sides. Make sure the spring pin fits securely into opposing hole so that the bed rail cannot pull apart.



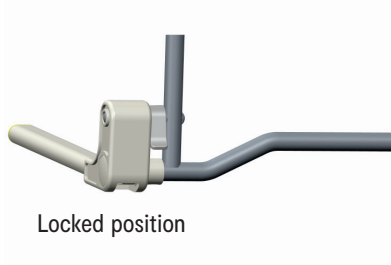
Step 3: To install the mesh wall on the bed rail, slide the mesh wall over the frame until it reaches the other end and zip it shut to complete the installation.



Step 4: Connect the under bars with the straps with the assembled panel as per Step 3. Insert the plastic hinge into the assembled panel and press in the metal spring button to fully insert the tube into the hole in the plastic hinge. The spring button should line up with the access hole in the plastic sleeve on the hinge. The spring button will rebound and lock the tube in place.



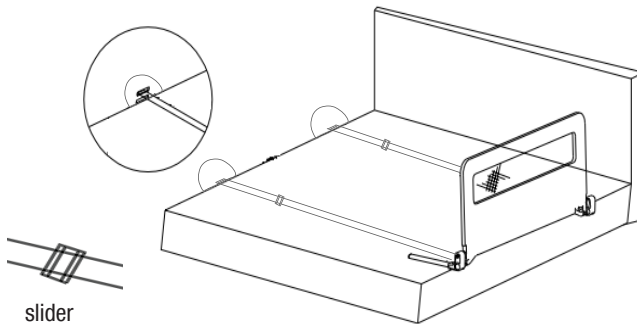
Unlocked position



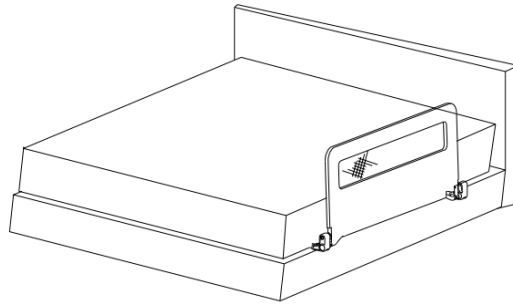
Locked position

Step 5: Locking mechanism.

POSITIONING THE BED RAIL

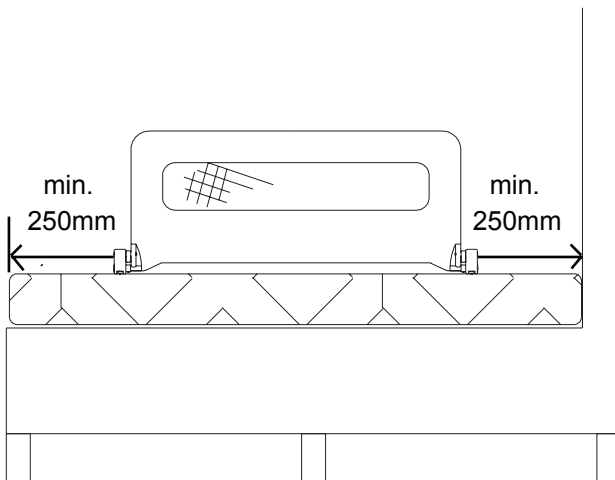


Step 1: Set up the bed rail in locked position. Place the bed rail on the side of the bed that you would like to have protected, place the fixed plate with strap on the opposite side of the bed rail and mount to the outer edge of the box spring. Make sure to adjust the slider to ensure a snug fit against the base of bed. Always readjust the slider whenever there is a change of bed rail position.

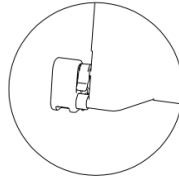
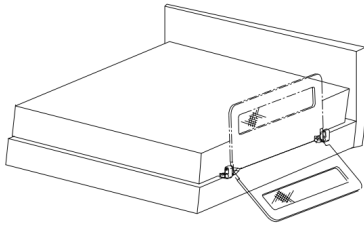


Step 2: Check to make sure the left and right under bar assemblies are parallel to one another, then place the mattress on the top of the assembly.

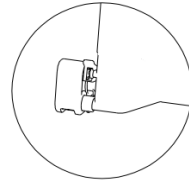
WARNING: To prevent the risk of strangulation, it is essential to ensure that when the bed rail is fitted into position, there is a gap of at least 250mm (10in), between each end of the bed and the corresponding end of the bed rail.



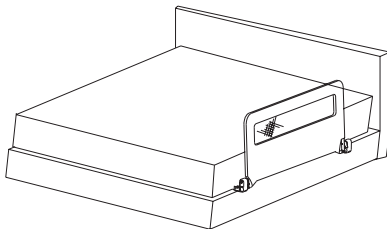
USING THE BED RAIL



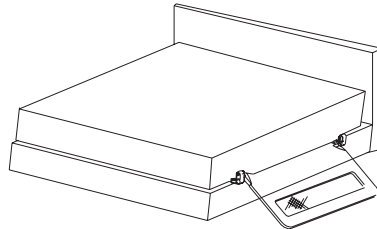
lock position



unlock position



up position



down position

Step up bed rail: Swing up the panel. Turn the locking tabs and hold them at unlocked position. Continue to swing until the panel touches the side of the mattress. Release the locking tabs and the bed rail is locked into use position.

Fold down bed rail: With the locking tabs turned to the unlocked position, hold the upper part of the bed rail firmly and swing it down. The bed rail now should be in the down position.

IMAGES/ DRAWINGS IN THE MANUAL ARE FOR VISUAL PURPOSES ONLY.
ACTUAL PRODUCT MAY VARY SLIGHTLY. THE MANUFACTURER RESERVES THE RIGHT
TO CHANGE ANY SPECIFICATION OR FEATURE WITHOUT PRIOR NOTICE.

Keycode : 42399438

MADE IN CHINA

©KMART AUSTRALIA LIMITED

ANKO, KIDS&CO. & BABY SOLUTIONS® ARE TRADEMARKS OF KMART AUSTRALIA
LIMITED. THEY ARE USED IN NEW ZEALAND BY KMART NZ HOLDINGS LIMITED
TRADING AS KMART IN NEW ZEALAND.

KMART AUSTRALIA - 690 SPRINGVALE RD, MULGRAVE, VIC 3170 AUSTRALIA.

KMART NEW ZEALAND - REGIONAL OFFICE C/O KMART PAPATOETOE STORE
HUNTERS PLAZA, GREAT SOUTH RD, PAPATOETOE, AUCKLAND, NEW ZEALAND.